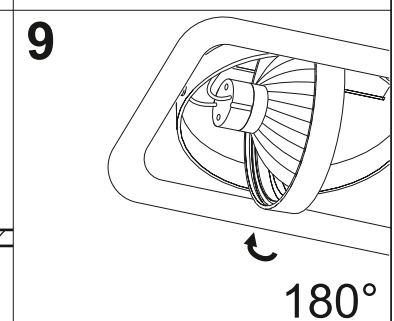
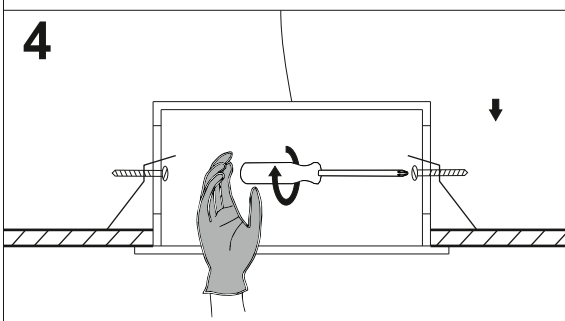
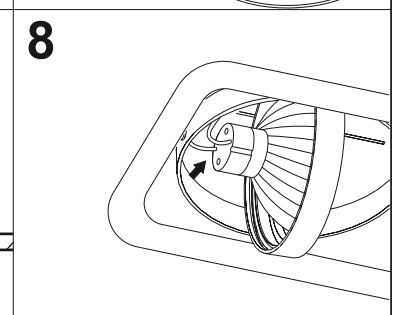
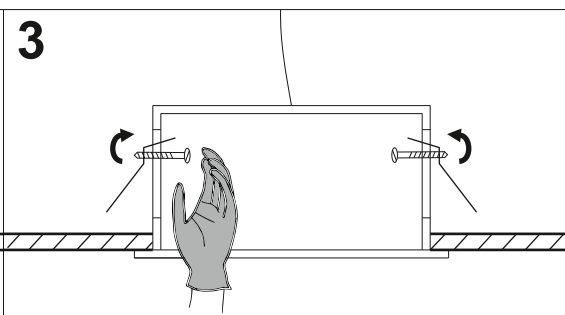
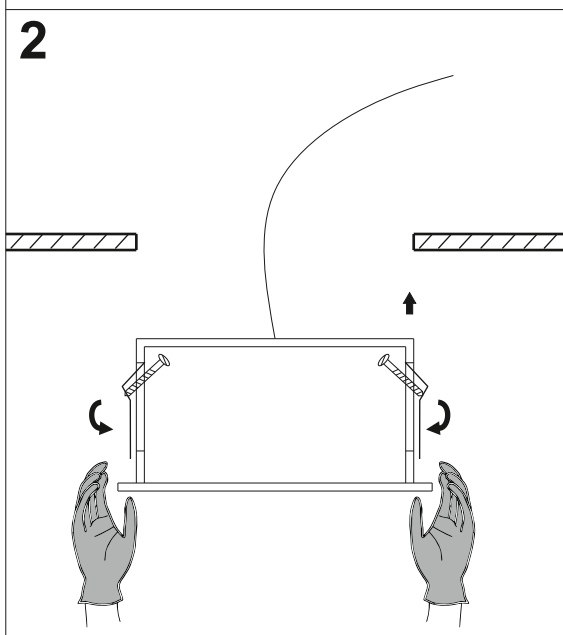
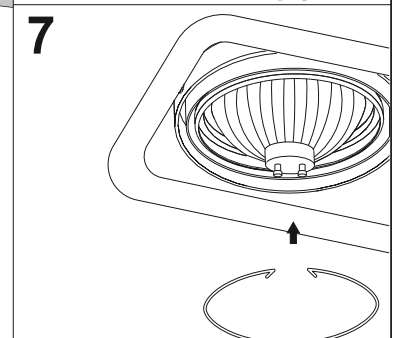
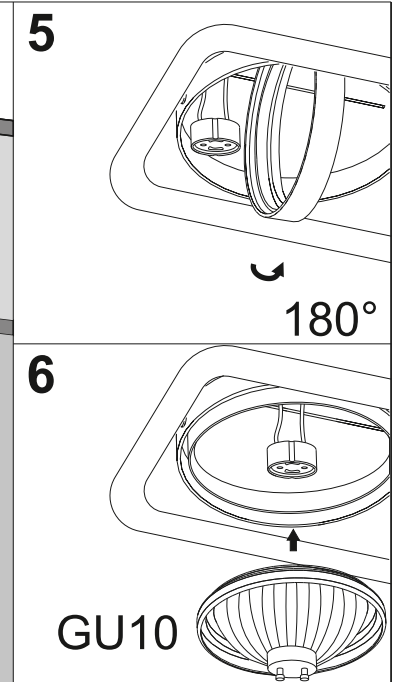
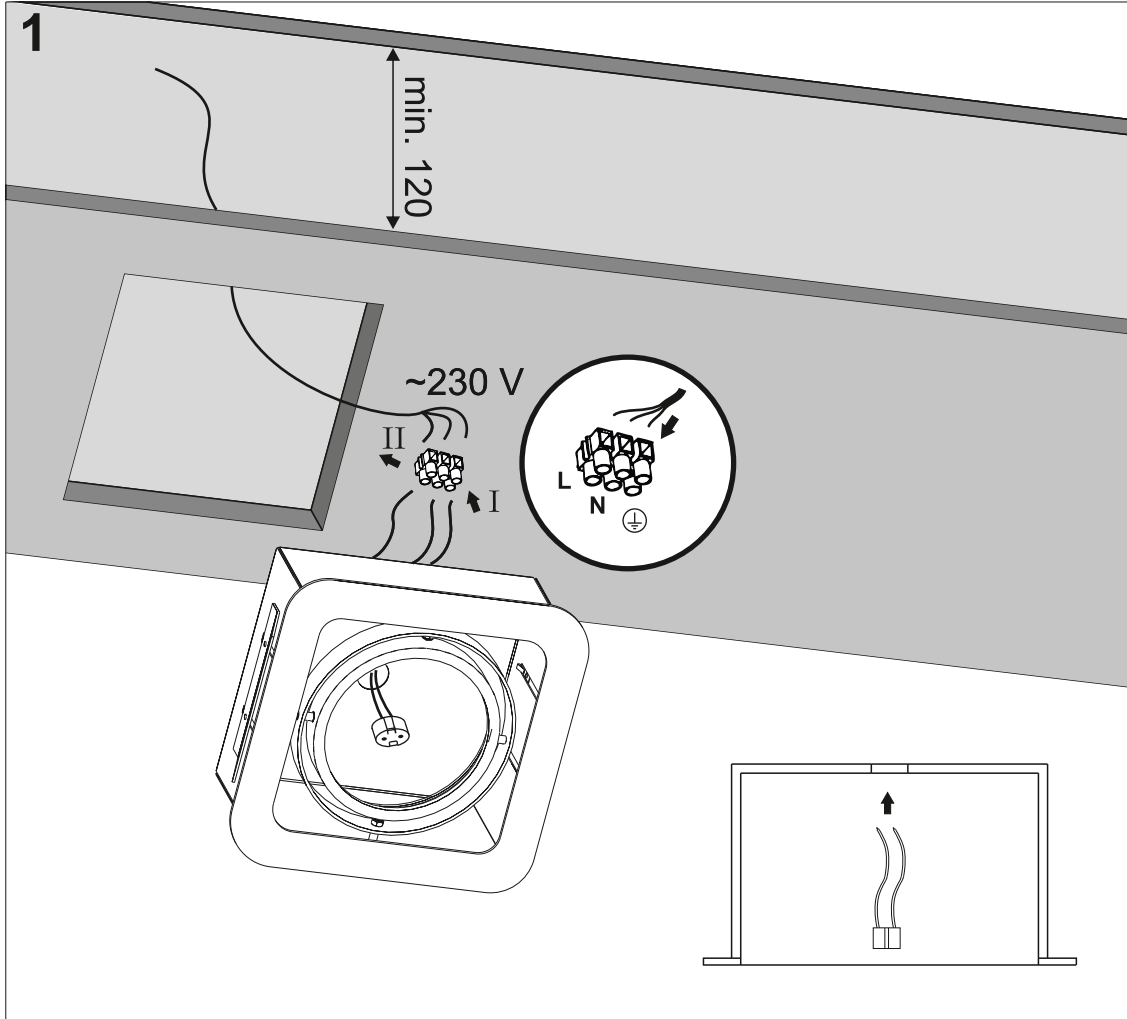


Ver.	iFORM 111x1	iFORM 111x2	iFORM 111x4 SQ
M	173	173	335
L	173	333	335



≈12 V
 
 0,5 m
 IP20
 
 OPTION

LED  
Gu10