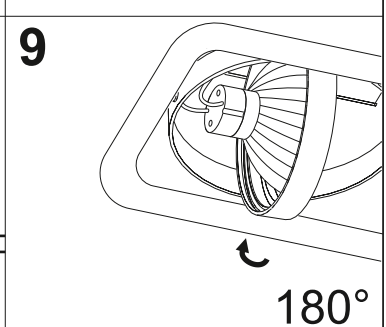
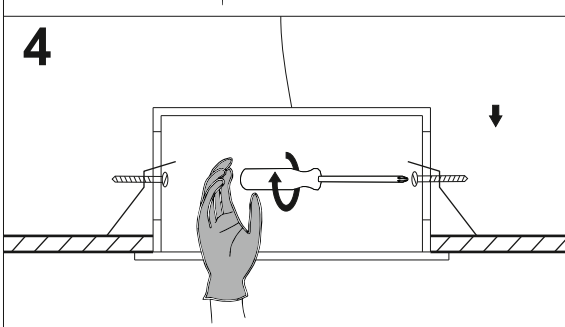
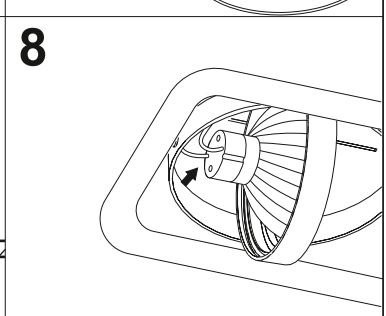
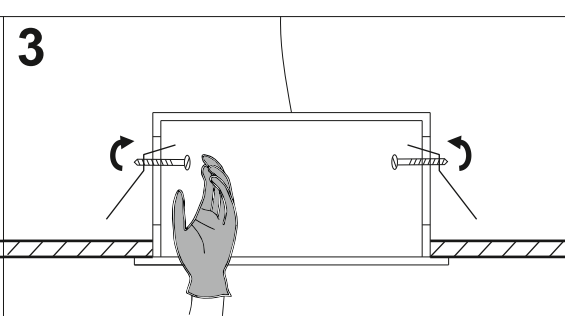
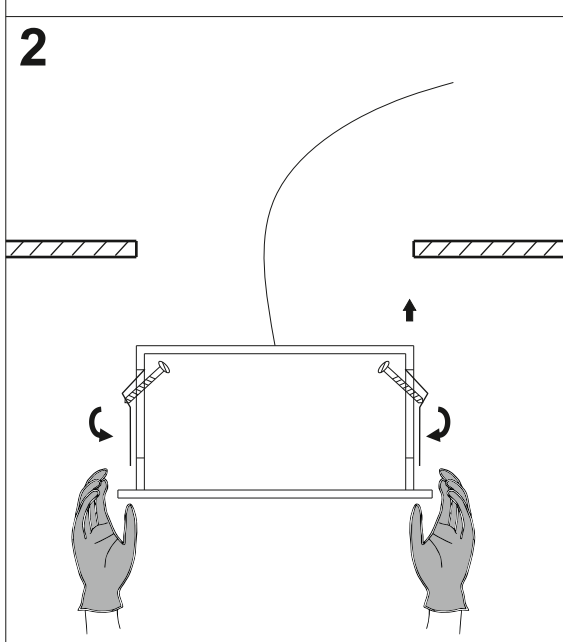
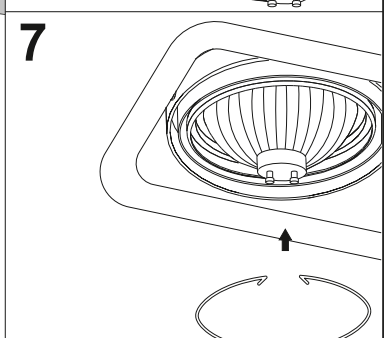
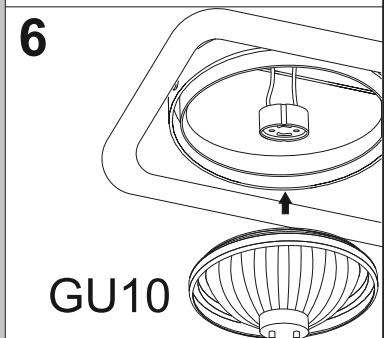
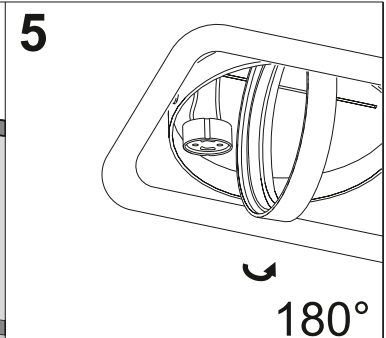
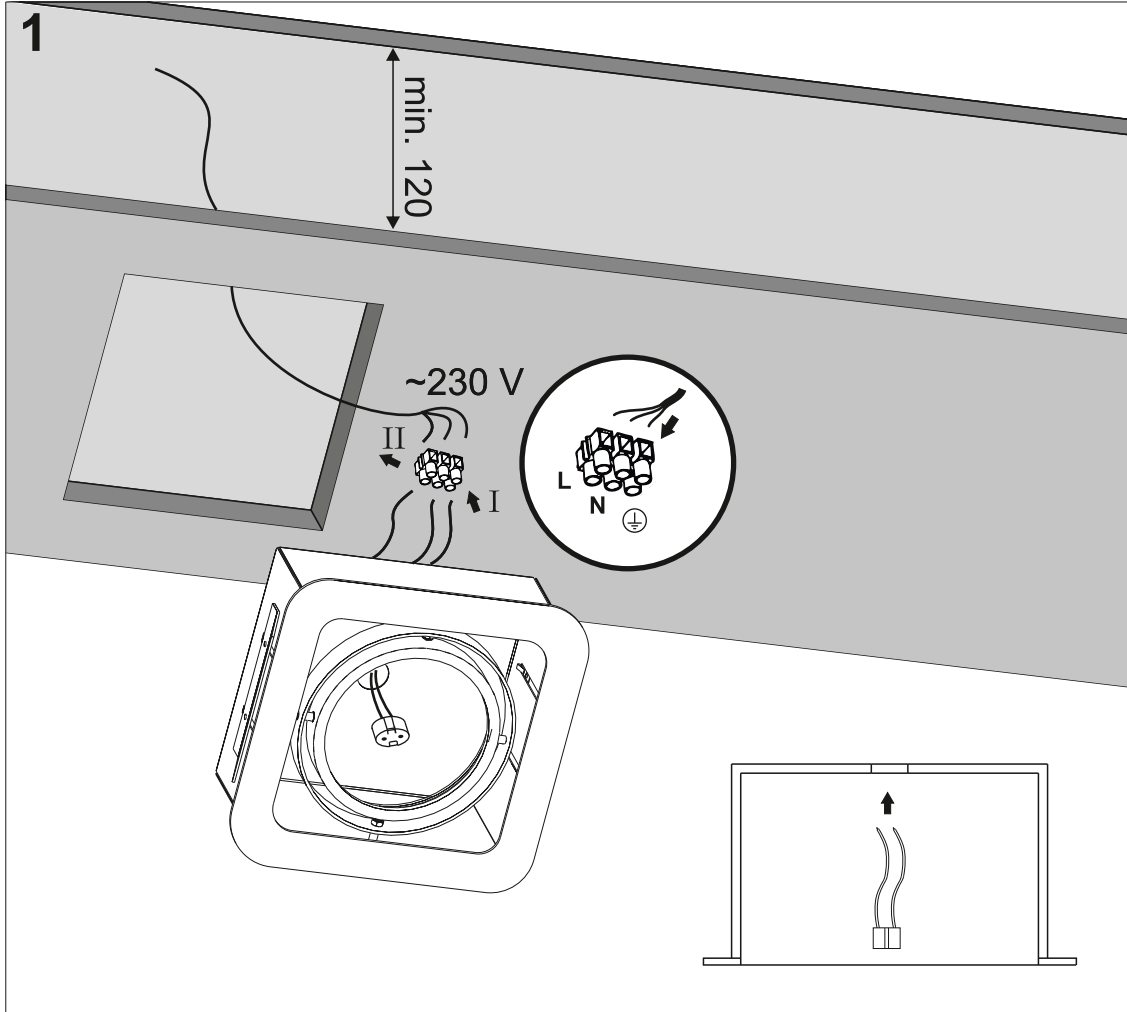


| Ver. | iFORM 111x1 | iFORM 111x2 | iFORM 111x4 SQ |
|------|-------------|-------------|----------------|
| M | 173 | 173 | 335 |
| L | 173 | 333 | 335 |



≈12 V

 0,5 m
 IP20