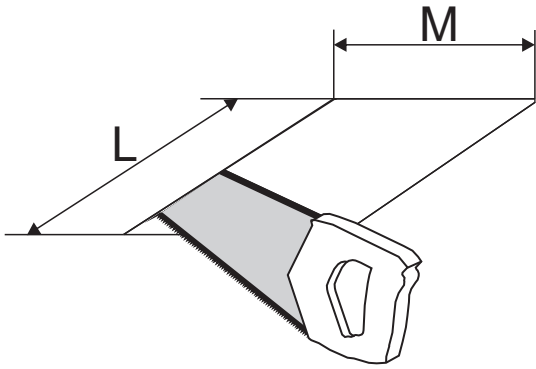


# SQUARES 50x1/x2/x3/x4 SQ trimless LED



Ver.	SQUARES 50x1	SQUARES 50x2	SQUARES 50x3	SQUARES 50x4 SQ
L	83	83	83	162
M	83	162	241	162

**1**

II ↓

III ↻

I ↻

2x ↻

OFF

**2**

H<sub>min</sub> = 95

I ↻

III ↑

**3**

I ↻

III ↑

II ↻

ON

**4**

I ↻

III ↑

IV ↻

2x ↻

**5**

ON