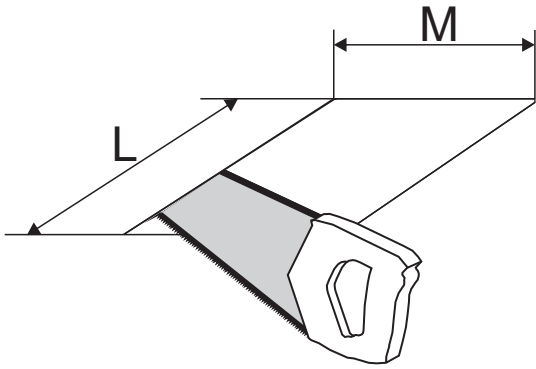


SQUARES 50x1/x2/x3/x4 SQ trimless LED



Ver.	SQUARES 50x1	SQUARES 50x2	SQUARES 50x3	SQUARES 50x4 SQ
L	83	83	83	162
M	83	162	241	162

1

Diagram 1: Preparing the ceiling surface. A square hole is cut into the ceiling. The trimless LED strip is inserted into the hole. The ceiling is then covered with a mesh plate. A switch is shown in the OFF position.

2

Diagram 2: Mounting the ceiling plate. The ceiling plate is secured to the ceiling with screws. The minimum height $H_{min} = 95$ mm is indicated.

3

Diagram 3: Connecting the power supply. The power supply is connected to the ceiling plate. The LED strip is connected to the power supply terminals L and N.

4

Diagram 4: Final assembly. The trimless LED strip is fully assembled into the ceiling plate. The ceiling plate is secured with screws. A switch is shown in the ON position.

5

Diagram 5: Final view of the installed trimless LED strip.