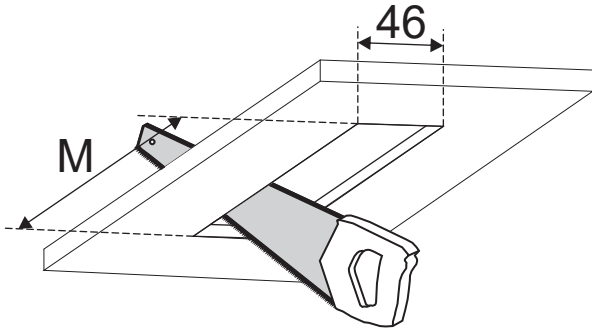
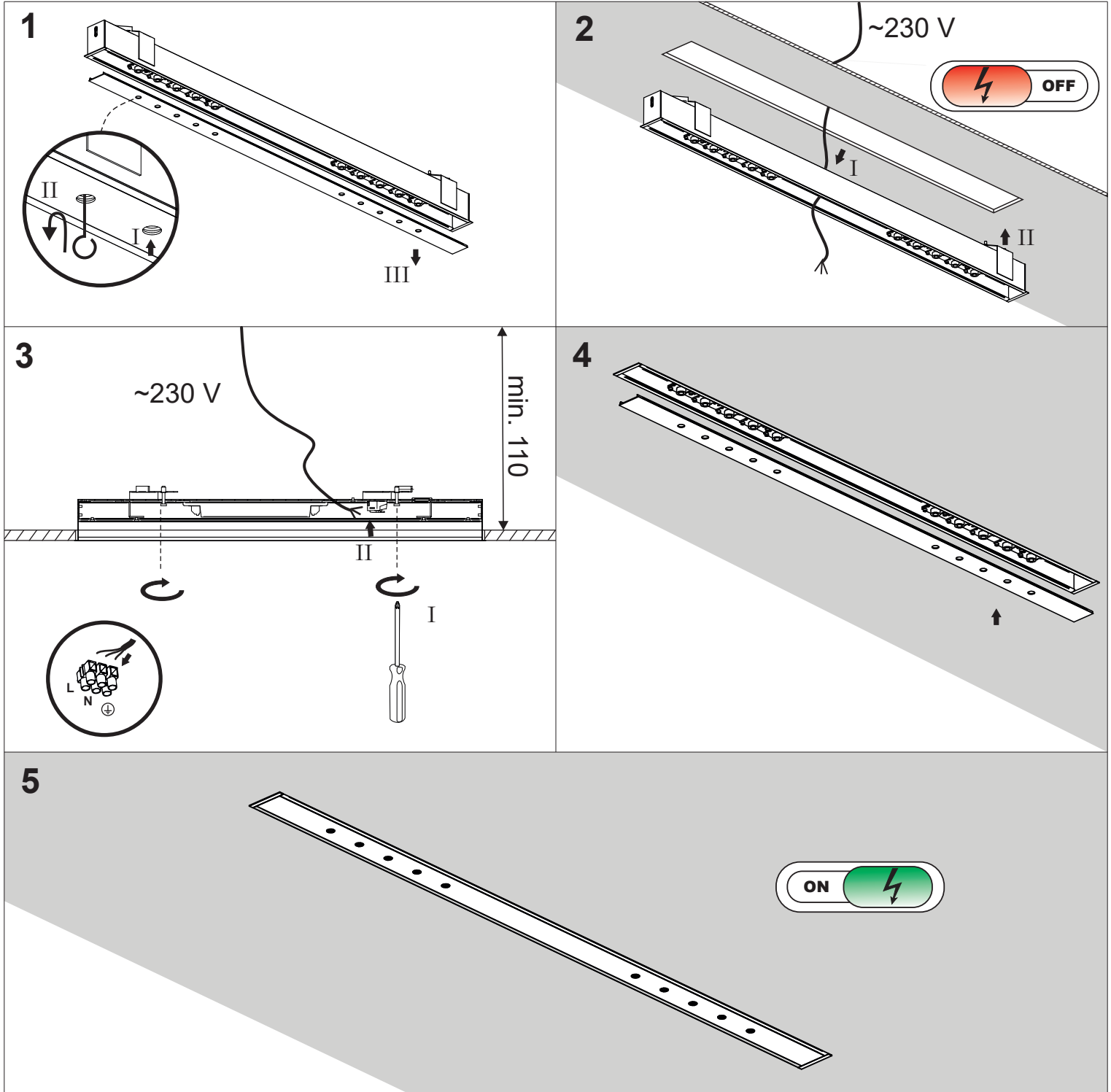


LENS LINE recessed
LENS LINE section recessed



| | | | | |
|------|-----|-----|------|------|
| Ver. | 430 | 960 | 1490 | 2020 |
| M | 424 | 954 | 1484 | 2014 |



230 V

 >0,2 m

 DIMMER option
 LED INT.