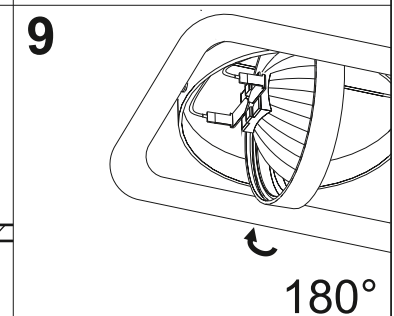
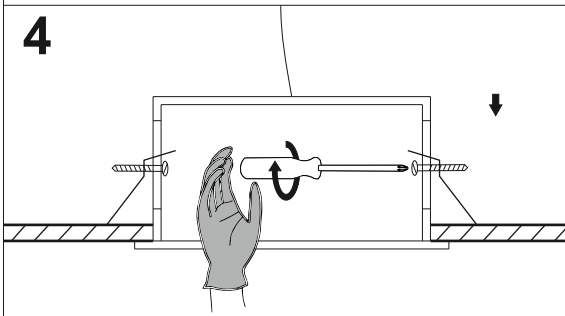
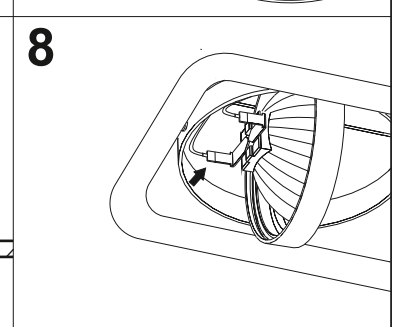
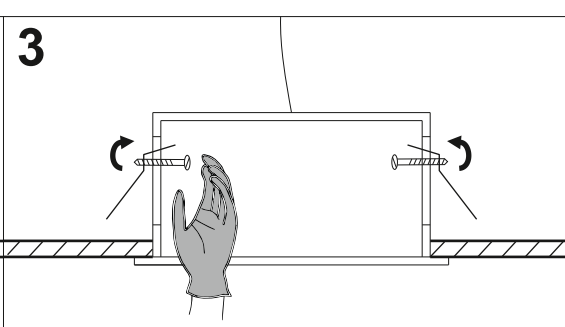
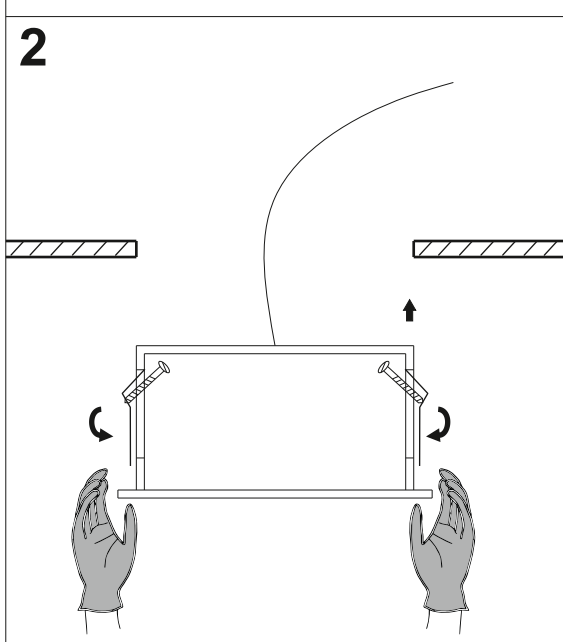
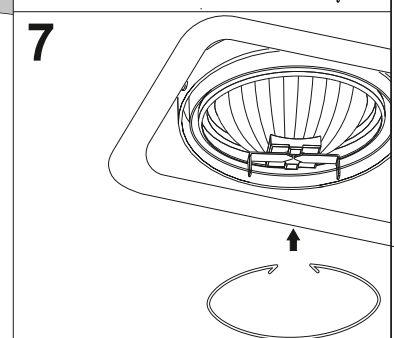
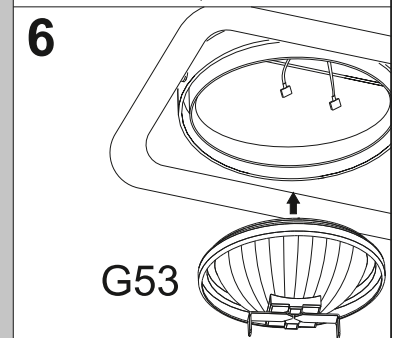
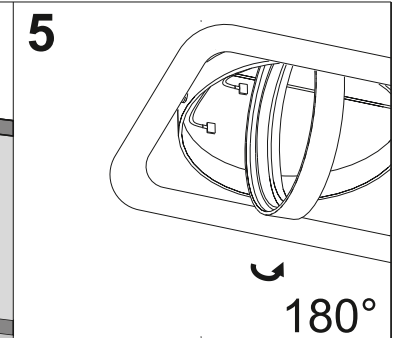
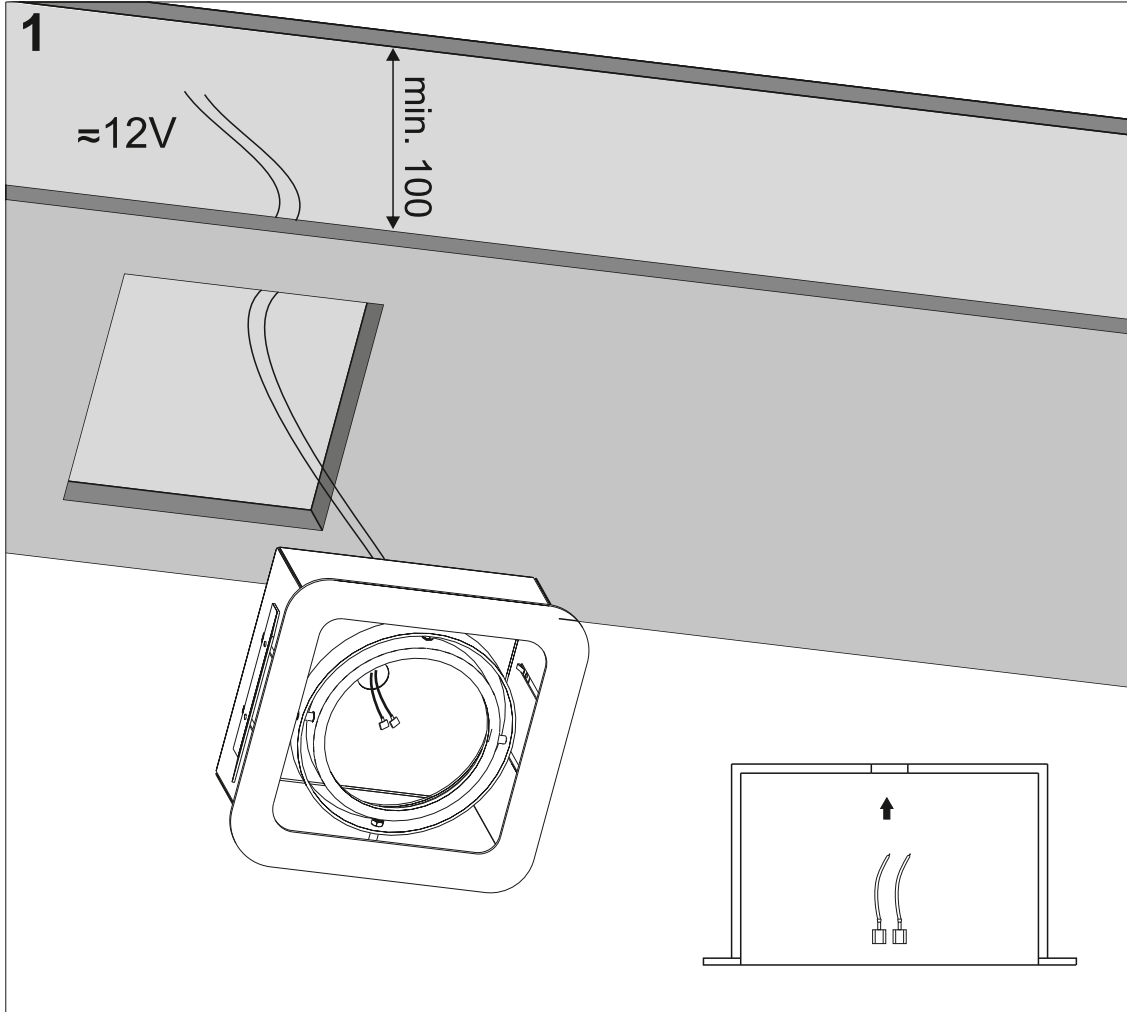


Ver.	iFORM 111x1	iFORM 111x2	iFORM 111x4 SQ
M	173	173	335
L	173	333	335



LED
G53