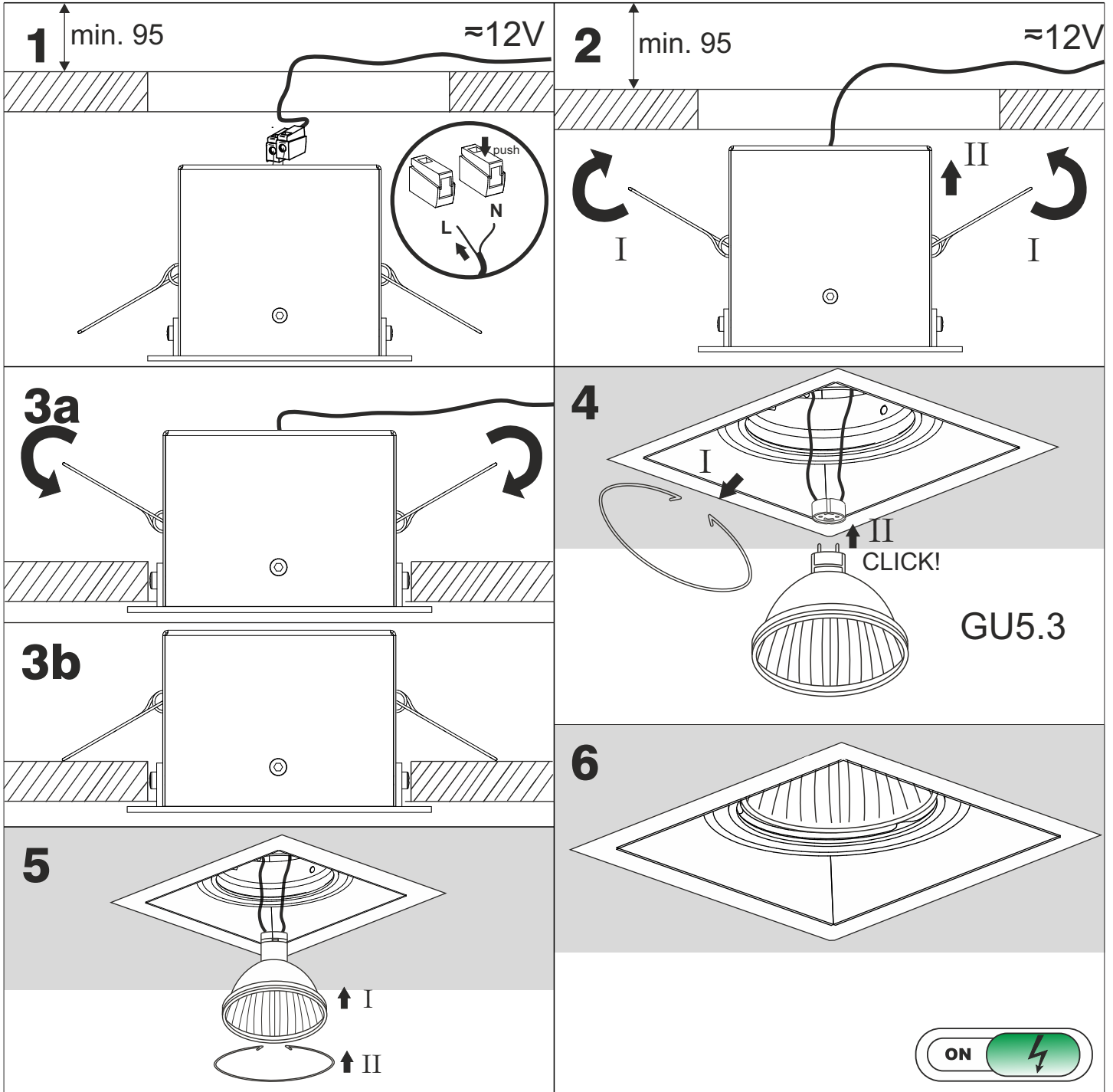


Unboxing and installation overview diagram showing the product being taken out of the box, the user reading the manual, the manual being discarded, and the product being installed in a ceiling. Dimensions L and M are indicated on the installation diagram.

Ver.	SQUARES 50x1	SQUARES 50x2	SQUARES 50x3
L	90	170	244
M	83	83	83



1 min. 95 ≈12V

2 min. 95 ≈12V

3a

3b

4

5

6

CLICK!

GU5.3

ON

The diagram illustrates the six steps of installation: 1. Preparing the ceiling with a minimum depth of 95mm and a voltage of approximately 12V. 2. Connecting the power wires (L and N) to the fixture. 3. Attaching the mounting brackets (3a and 3b). 4. Inserting the GU5.3 LED bulb into the fixture. 5. Pushing the fixture into the ceiling. 6. The final installed fixture. A 'CLICK!' sound is noted when the fixture is seated. A power switch icon is shown at the bottom right.

