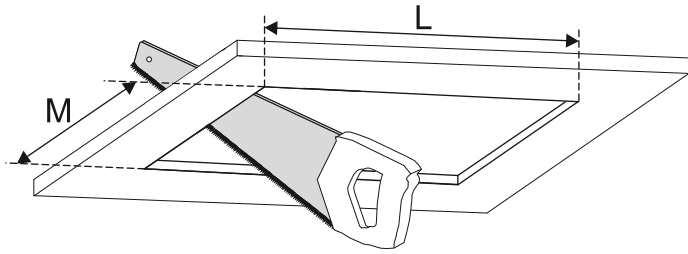


# SQUARES 50x1/x2/x3/x4 SQ 230V Z RAMKĄ

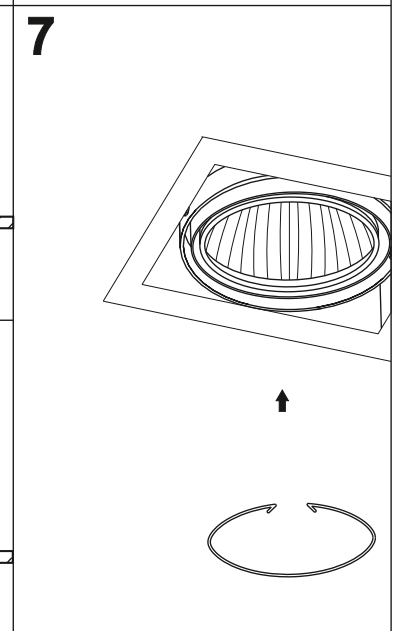
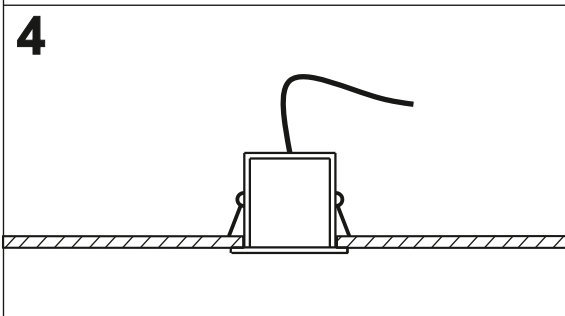
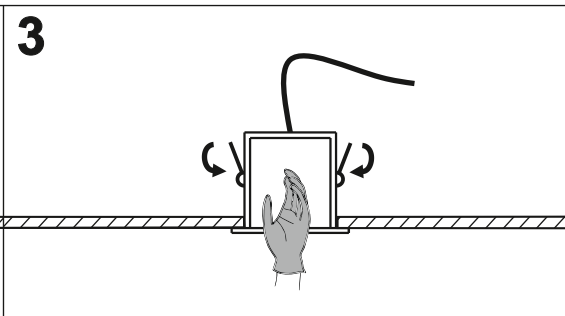
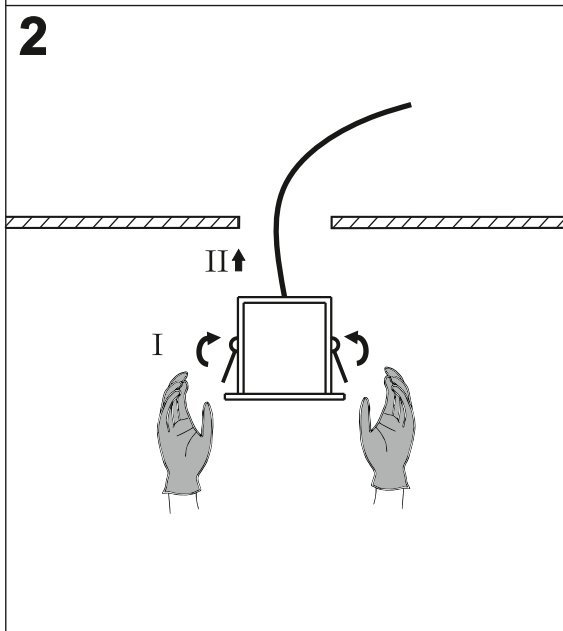
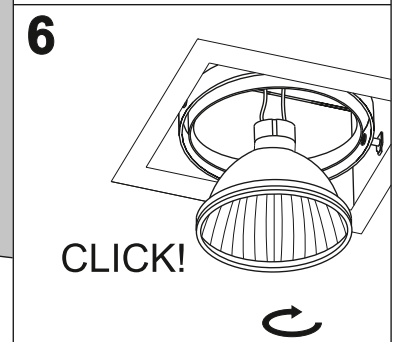
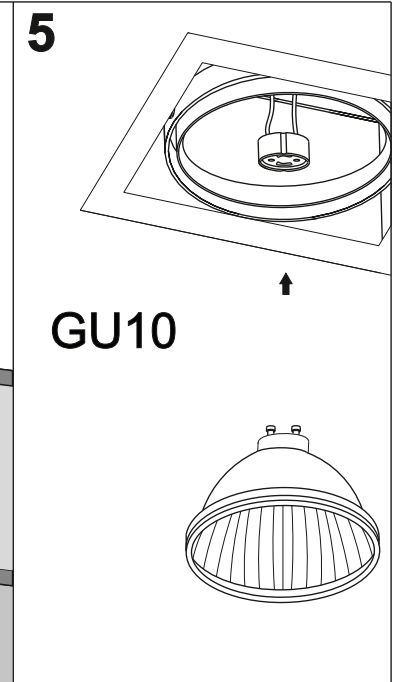
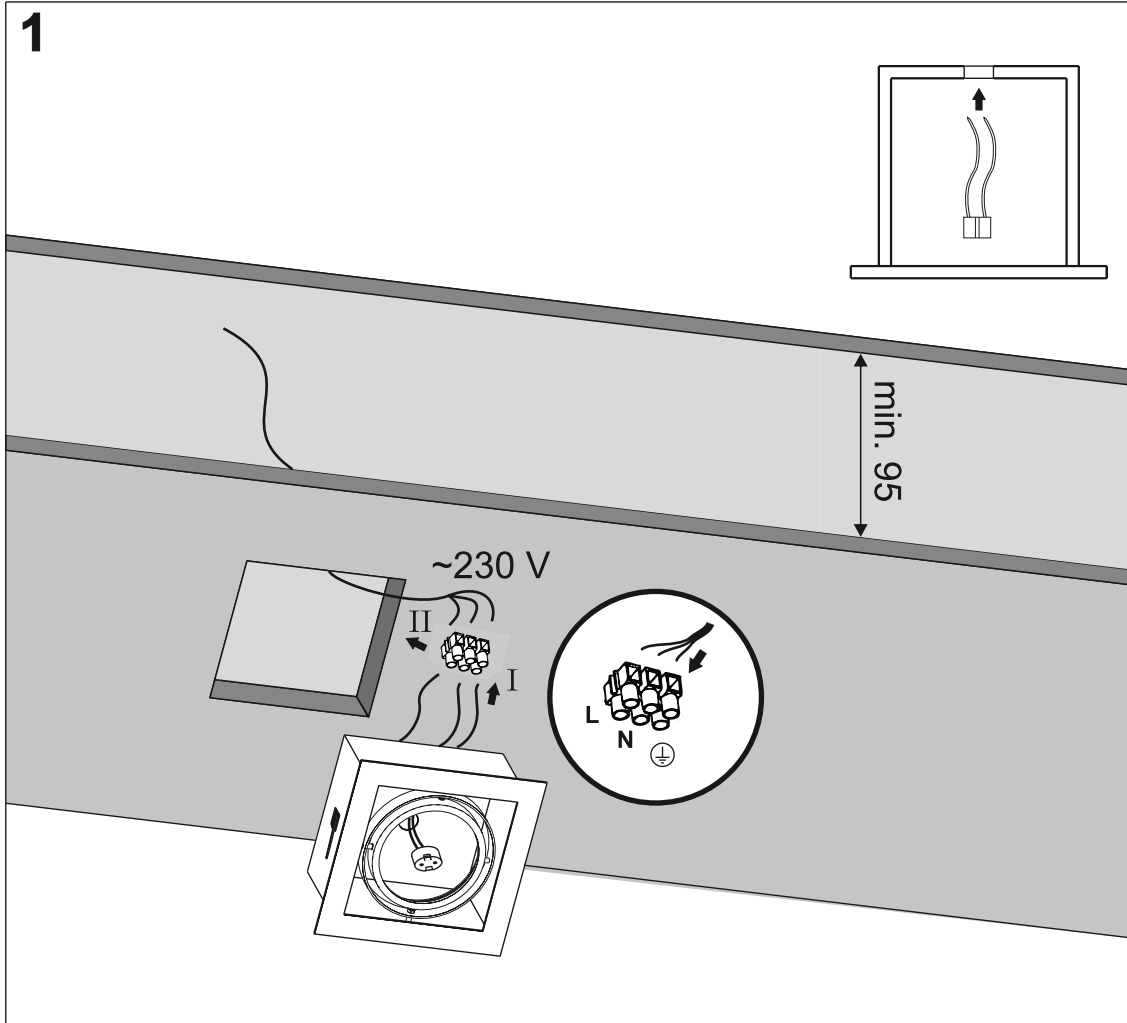
SQUARES 50x1/x2/x3/x4 SQ 230V

# AQFORM

LIGHTING SOLUTIONS



Ver.	SQUARES 50x1	SQUARES 50x2	SQUARES 50x3	SQUARES 50x4	SQUARES 50x4 SQ
M	86	86	86	86	165
L	86	165	244	323	165



~230 V    IP20    0,5 m    dimmer    LED Gu10